

Time-savings with weighing scale pallet truck

The weighing scale pallet truck, WSP 2200, can transport and weigh goods in the same work process. No need for spending time for extra transport and loading! With the very high accuracy, it is perfectly suited for weighing goods in storage areas, for inspection of incoming goods and goods to be shipped etc.

The weighing system has four strong weighing cells, and a solid and very well protected display. The display has logic and simple settings, and is very user-friendly. It is centrally located, and reading can be done quickly and simply.

The construction of the pallet truck is strong and solid. It is very easy to operate and maintain.



Technical Specifications

WSP 2200 has a user-friendly display, protected in a steel housing.

Facts about WSP 2200

- Can transport/weigh up to 2,200 kg
- Four strong weighing cells, IP68
- Weighing cell accuracy 99,95%
- Graduation: 1,0 kg
- Backlight display with clear figures (30 mm)
- Tare function (gross and net weight)
- Counting and zero setting
- Summation of several weighings
- Up to 250 operational hours per charge
- Battery indicator
- Lowering function controlled by lowering valve
- High-pressure relief valve prevents overload
- Lubricating nipples in the most important movable parts



WSP 2200 transports and weighs goods in the same work process.



Sound or light indication, when reaching requested weight.



WSP 2200 has tare, counting and zero setting.

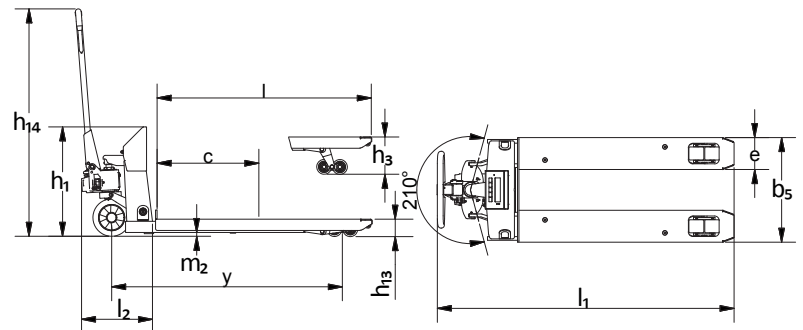


The turning angle of WSP 2200 is 210°, ensuring easy operations in confined areas.



Reliable leak-proof hydraulic system.

Product (measured in mm)		WSP 2200
Capacity in kg		2200
Lifting height	h_3	200
Fork length	l	1150
Overall height	h_1	590
Fork span	b_5	560
Length without forks	l_2	415
Overall length	l_1	1570
Fork width	e	171
Wheelbase	y	1200
Overall height	h_{14}	1220
Lowered height	h_{13}	92
Load centre		1/2
Ground clearance	m_2	12
Turning angle of the wheels		210°
Fork wheels		Tandem polyurethane
Steering wheel		Ø200 rubber
Weight		99 kg



Accurate weighing results with four built-in weighing cells.



Rubber covered handle ensures a comfortable hold.



Solid, accurate and easy to use all over the company.

Please ask for further information or visit our website www.logitrans.com